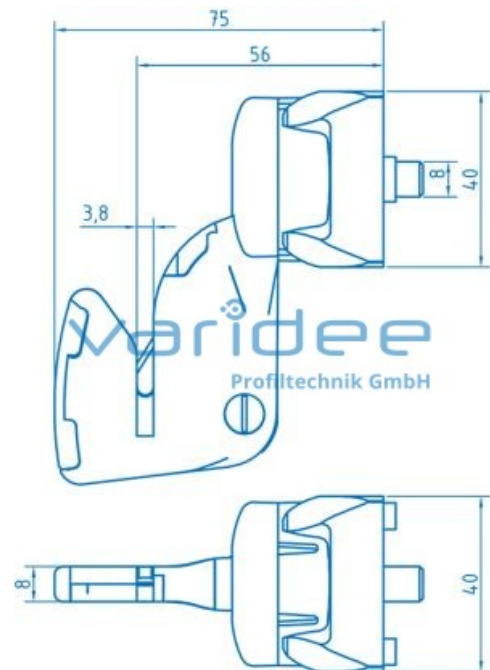


Foil cutter 8, grey



Reference: FS8-G

Consists of:

Base body, PA-GF, grey

Blade, carbon steel, replaceable

m = 95.0 g

The foil cutter 8 is designed for easy opening of poly bags at workstations. The component can be rotated 360° and is designed for series 8 profiles. The scope of delivery includes slot fixings as well as a suitable M8 fastening screw. Replaceable, commercially available trapezoidal blades for cutter knives are used.